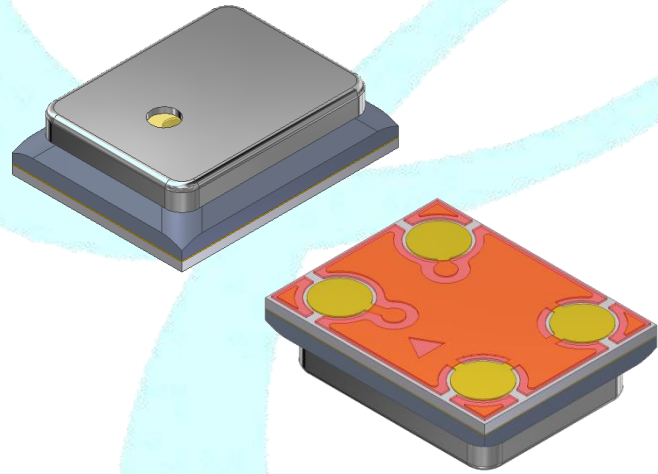


ASMO-C110T42-3P

SMD Type

OMNI-DIRECTIONAL
TOP PORT



Best sound electronics

Value no1. Micro sound provider

Creative technology starts from respecting of life of the individuals

Creative technologies to respect human life



Best sound electronics

Value no1. Micro sound provider

We offer you happiness with our excellent technology beyond an ordinary sound what you expect

Superior technology to deliver happiness



Best sound electronics

Value no1. Micro sound provider

Keep basic fundamentals to fill sound with new innovations

Creative technologies to respect human life



1. INTRODUCTION

- Analog Electret Condenser Microphone
- SMD Type
- Single Mode
- Sensitivity is Typical -42dBV/Pa
- Omni-directional
- RF Shielded
- Compatible with Sn/Pb and Halogen-free solder process
- RoHS compliant
- SMD reflow temperature of up to 250°C for over 10 seconds

2. APPLICATIONS

- Smartphones
- Ear-sets, Bluetooth Headsets
- Tablet Computers
- Wearable Devices
- Electrical Appliances
- Voice Recognition Systems of Appliances

3. MODEL NO.

ASMO-C110T42-3P

4. GENERAL MICROPHONE SPECIFICATIONS

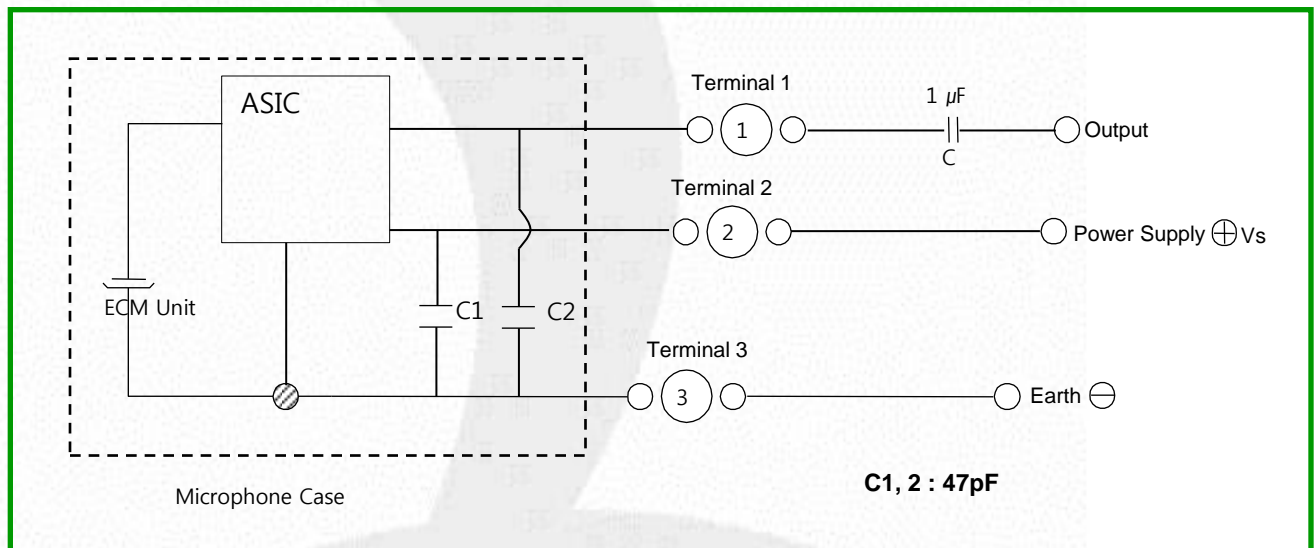
Test Condition : 23 ± 2°C, Room Humidity = 55 ± 20 %, VCC=2.0V, unless otherwise noticed.

Parameter	Conditions	Min	Typ	Max	Units
Directivity		Omni-directional			
Operating Voltage		1.6	-	3.6	V
Sensitivity Change across Voltage	ΔS-VS, VCC=2.0V to 1.5V	-	-	-3	dB

5. ELECTRO-ACOUSTIC CHARACTERISTICS

Parameter	Conditions	Min	Typ	Max	Units
Sensitivity (S)	94dB SPL at 1kHz, 0dB=1V/Pa	-45	-42	-39	dBV/Pa
Output Impedance (Z_{OUT})	94dB SPL at 1kHz	-	-	2.2	kΩ
Current Consumption	V _{CC} =2.0V , R _L = 2.2kΩ	50	80	250	μA
Signal to Noise Ratio (SNR)	94dB SPL at 1kHz, A-weighted (20Hz~20kHz)	58	60	-	dB(A)
Equivalent Input Noise (EIN)	94dB SPL at 1kHz, A-weighted (20Hz~20kHz)	-	34	-	dB(A) SPL
Power Supply Rejection (PSR)	100mVp-p square wave at 217Hz, V _{dd} =1.8V, A-weighted	-	-72	-	dBV(A)
Total Harmonic Distortion (THD)	94dB SPL at 1kHz	-	-	0.1	%
	126dB SPL at 1kHz	-	-	1.0	
	127dB SPL at 1kHz	-	-	3.0	
	128dB SPL at 1kHz	-	-	5.0	
Acoustic Overload Point (AOP)	THD>10% at 1kHz	130	-	-	dB SPL

6. MEASUREMENT CIRCUIT



7. TYPICAL FREQUENCY RESPONSE CURVE(FAR FIELD)

Far Field Measurement Condition

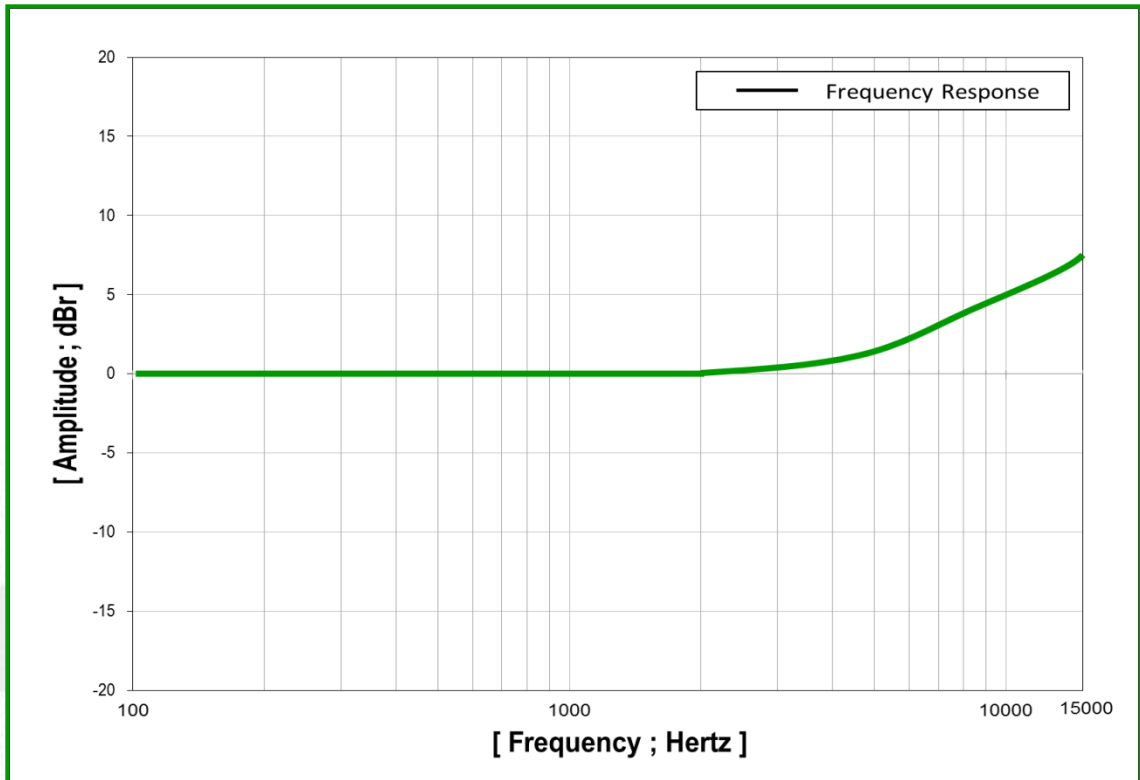
Temperature : 23 ± 2 °C

Supply Voltage : 2.0V

Acoustic stimulus : 1Pa (94dB SPL at 1kHz) at 50 cm from the loud-speaker.

The loud-speaker must be calibrated to make a flat frequency response input signal.

Position : The frequency response of microphone unit measured at 50 cm from the loud-speaker.



8. MECHANICAL CHARACTERISTICS

※ PCB design & Pin size can be changed by model No.

■ SMD Type

